

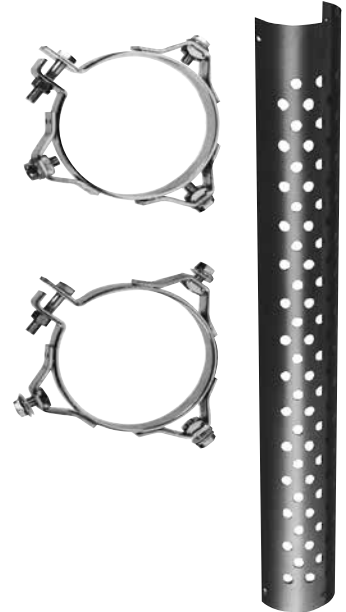
## Universal Pipe Guards & Clamps

- 180° wrap coverage
- 48" (1219mm) length
- Polished stainless steel
- Shipped with protective film on one side
- Clamps must be ordered separately

### Universal Pipe Guards & Clamps

Pipe Dia. in	mm	Stainless <sup>1</sup>	Clamp Kit
4.00	102	P206543	P206508
5.00	127	P206543	P206509
6.00	152	P206543	P224492

1 - Requires clamp kit for installation

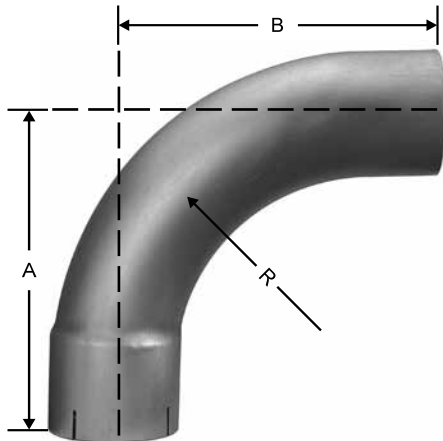


### Pipe Guard Clamp Kits

- Two clamps per kit
- Chrome plated
- 12 gauge cold rolled steel construction

## 90° O.D. - I.D.

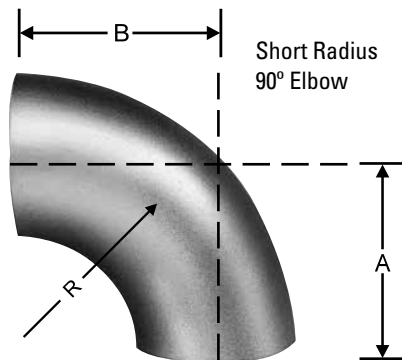
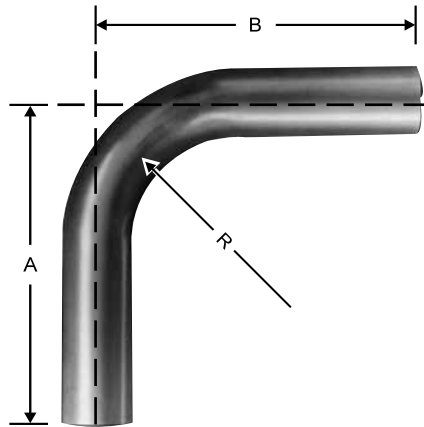
- 16 gauge aluminized or chrome plated steel
- One end O.D., one end I.D. slotted



Diameter O.D.-I.D.		Leg Length (A)		Leg Length (B)		Center Line Radius (R)		Aluminized	Chrome
in	mm	in	mm	in	mm	in	mm		
2.00	51	9.00	229	9.00	229	5.00	127	P207333	
		6.38	162	6.38	162	4.00	102	J008671	
2.50	64	6.25	159	6.25	159	4.00	102	P206339	
		12.00	305	12.00	305	5.00	127	P207335	
2.75	70	6.38	162	6.38	162	5.00	127	P216172	
3.00	76	8.00	203	8.00	203	5.00	127	P206340	
		14.00	356	14.00	356	5.00	127	P206341	
3.50	89	9.00	229	9.00	229	5.00	127	P206342	
		12.00	305	12.00	305	5.00	127	P224669	
		16.00	406	16.00	406	5.00	127	P206343	
4.00	102	8.00	203	8.00	203	4.50	114		P224671
		8.00	203	8.00	203	5.00	127	J008681	
		10.00	254	10.00	254	4.50	114		P207345
		10.00	254	10.00	254	7.00	178	P206344	
		18.00	457	18.00	457	4.50	114		P206353
		18.00	457	18.00	457	7.00	178	P206345	
4.50	114	25.00	635	32.00	813	7.00	178	P207338	
		12.00	305	12.00	305	7.00	178	J190002	
5.00	127	8.50	216	8.50	216	5.50	140	J190003	J190004
		11.00	279	11.00	279	5.50	140	P207339	J009547
		15.00	381	15.00	381	7.50	191		P207346
						10.00	254	P206347	
		18.00	457	18.00	457	7.50	191		P206354
6.00	152					10.00	254	P206348	
		25.00	635	32.00	813	10.00	254	P207340	
		15.00	381	15.00	381	10.00	254	P207341	
		26.00	660	26.00	660	10.00	254	P206350	

## 90° O.D. - O.D.

- 16 gauge aluminized or chrome plated steel
- Both ends O.D.

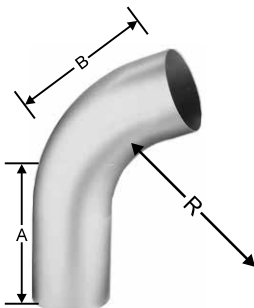


Diameter O.D.-O.D.		Leg Length (A)		Leg Length (B)		Center Line Radius (R)		Aluminized	Chrome	Stainless		
in	mm	in	mm	in	mm	in	mm					
2.00	51	9.00	229	9.00	229	5.00	127	P207322				
2.25	57	10.00	254	10.00	254	4.00	102	P216174				
2.50	64	12.00	305	12.00	305	5.00	127	P207324				
2.75	70	12.00	305	12.00	305	5.00	127	P207325				
3.00	76	3.50	89	3.50	89	3.00	76	P206397				
		6.00	152	6.00	152	4.00	102	P207362				
		10.00	254	10.00	254	5.00	127	P207326				
		14.00	356	14.00	356	5.00	127	J190013				
3.50	89	4.00	102	4.00	102	4.00	102	P206398		P235770 <sup>1</sup>		
		8.00	203	8.00	203	4.00	102	P207363				
		9.00	229	9.00	229	5.00	127	J190014				
		12.00	305	12.00	305	5.00	127	P207327				
		16.00	406	16.00	406	5.00	127	P207328				
4.00	102	4.50	114	4.50	114	4.00	102	P206399				
		4.50	114	4.50	114	4.50	102			P235771 <sup>2</sup>		
		8.00	203	8.00	203	4.00	102	P207364				
		9.00	229	15.00	381	4.00	102	P207330				
		12.00	305	12.00	305	4.00	102	P206346				
		18.00	457	18.00	457	4.50	114		J190016			
						7.00	178	P207329				
		25.00	635	25.00	635	5.00	127	J190017				
		5.00	127	5.50	140	5.50	140	5.50	140	P206400		P235772 <sup>2</sup>
		10.00	254	10.00	254	5.50	140	5.50	140	P207365		
11.00	279	16.00	406	5.50	140	5.50	140	P207332				
15.00	381	15.00	381	7.50	191	7.50	191		J190019			
				10.00	254	10.00	254	P207331				
		20.00	508	20.00	508	10.00	254	P206349				
		25.00	635	25.00	635	8.00	203	J190020				
6.00	152	6.50	165	6.50	165	6.00	152	P207361				
		10.00	254	10.00	254	6.00	152	P207366				
		23.00	584	23.00	584	10.00	254	P216175				

1- 409 Stainless Steel  
2- 439 Stainless Steel

## 67° O.D. - O.D.

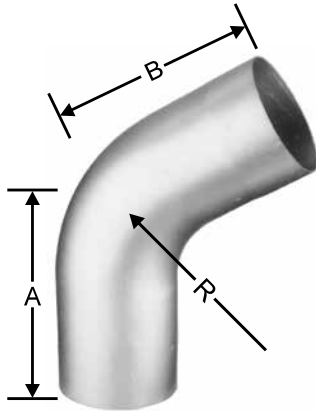
- 16 gauge aluminized steel
- Both ends O.D.
- For Peterbilt Truck



Diameter O.D.-O.D.		Leg Length (A)		Leg Length (B)		Center Line Radius (R)		Part Number
in	mm	in	mm	in	mm	in	mm	
5.00	127	7.50	191	11.00	279	8.00	203	J009560

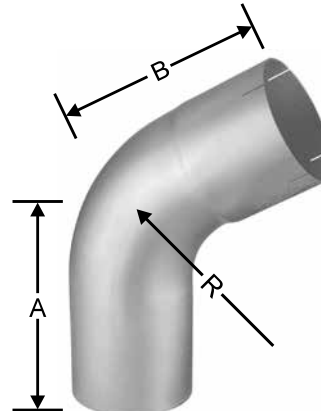
ACCESSORIES

## 60° O.D. - O.D.



- 16 gauge aluminized steel
- Both ends O.D.

## 60° O.D. - I.D.



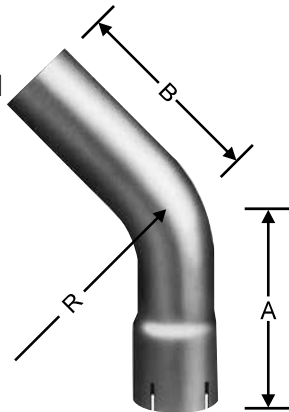
- 16 gauge aluminized steel
- One end O.D., one end I.D. slotted

Diameter O.D.-O.D.		Leg Length (A & B)		Center Line Radius (R)		Part Number
in	mm	in	mm	in	mm	
4.00	102	8.00	203	5.00	127	J009644
5.00	127	8.00	203	5.50	140	J009645

Diameter O.D.-I.D.		Leg Length (A & B)		Center Line Radius (R)		Part Number
in	mm	in	mm	in	mm	
3.50	89	8.00	203	5.00	127	J009639
4.00	102	8.00	203	5.00	127	J009640
5.00	127	8.00	203	5.50	152	J009641

## 45° O.D. - I.D.

- 16 gauge aluminized or chrome plated steel
- One end O.D., one end I.D. slotted



Diameter O.D.-I.D.		Leg Length (A & B)		Center Line Radius (R)		Aluminized	Chrome
in	mm	in	mm	in	mm		
2.50	64	6.00	152	4.00	102	P206279	
3.00	76	7.00	178	5.00	127	P206280	
3.50	89	8.00	203	5.00	127	P206281	
4.00	102	8.00	203	4.50	114		P206285
		9.25	235	7.00	178	P206282	
		12.00	305	5.00	127	J190023	
5.00	127	8.00	203	8.00	203	J190025	
		8.00	203	7.50	191		P206286
		12.00	305	8.00	203	P206283	
		15.00	381	5.50	140	J190027	
6.00	152	8.00	203	6.00	152	P207359	

## Bent Tubes for Trucks

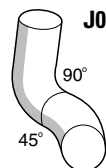
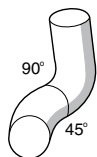
### Kenworth Truck Bent Tubes

Kenworth Part No.	Donaldson Part No.	Dia. O.D. in	mm	Application
K180-5419	J018110	5.00	127	28° Elbow
K180-14764L	J038611	5.00	127	Left Hand Elbow
K180-14764R	J038612	5.00	127	Right Hand Elbow



J018110

J038611



J038612

### Mack Truck Bent Tubes

Mack Part No.	Donaldson Part No.	- Dia. O.D. in	mm	Application
4ME21698	J028528	4.00	102	R & RD Models

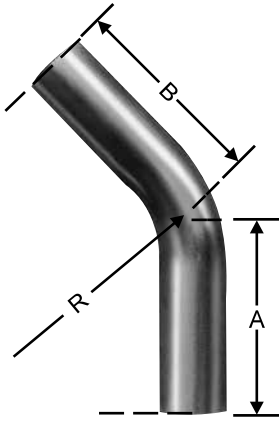


J028528

Thermocouple Fitting

### 45° O.D. - O.D.

- 16 gauge aluminized or chrome plated steel
- Both ends O.D.



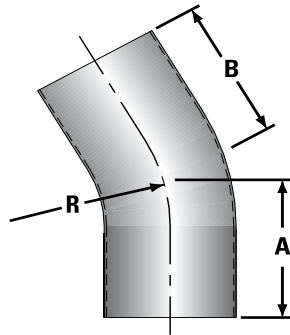
Diameter O.D.-O.D.		Leg Length (A)		Leg Length (B)		Center Line Radius (R)		Aluminized	Chrome	Stainless
in	mm	in	mm	in	mm	in	mm			
2.00	51	6.00	152	6.00	152	5.00	127	P207347		
2.50	64	6.00	152	6.00	152	5.00	127	P207349		
2.75	70	6.00	152	6.00	152	5.00	127	P207350		
3.00	76	7.00	178	7.00	178	5.00	127	P207351		
3.50	89	8.00	203	8.00	203	4.00	127			P235787 <sup>1</sup>
3.50	89	8.00	203	8.00	203	5.00	127	P207352		
4.00	102	8.00	203	8.00	203	4.00	102	P207353		
4.00	102	8.00	203	8.00	203	4.50	102			P235788 <sup>2</sup>
5.00	127	8.00	203	8.00	203	5.50	140	P207354	P216169	P235789 <sup>2</sup>
6.00	152	8.00	203	8.00	203	6.00	152	P207355		

1- 409 Stainless Steel  
2- 439 Stainless Steel

ACCESSORIES

### 30° O.D. - O.D.

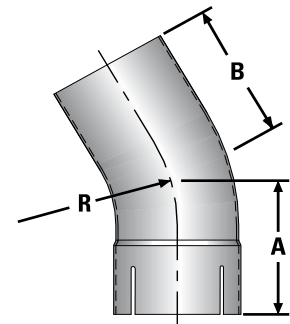
- 16 gauge aluminized steel
- Both ends O.D.



Diameter O.D.-O.D.		Leg Length (A & B)		Center Line Radius (R)		Part Number
in	mm	in	mm	in	mm	
3.50	89	4.00	102	5.00	127	J009635
4.00	102	4.00	102	5.00	127	J009636
5.00	127	4.00	102	5.50	140	J009637

### 30° O.D. - I.D.

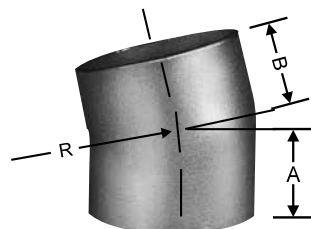
- 16 gauge aluminized steel
- One end O.D., one end I.D. slotted



Diameter O.D.-I.D.		Leg Length (A & B)		Center Line Radius (R)		Part Number
in	mm	in	mm	in	mm	
3.50	89	4.00	102	5.00	127	J009631
4.00	102	4.00	102	5.00	127	J009632
5.00	127	4.00	102	5.50	140	J009633

### 15° O.D. - O.D.

- 16 gauge aluminized steel
- For use where clearance is a problem



Diameter O.D.-O.D.		Leg Length (A & B)		Center Line Radius (R)		Part Number
in	mm	in	mm	in	mm	
3.00	76	1.75	44	5.00	127	P206393
3.50	89	1.75	44	5.00	127	P206394
4.00	102	2.50	64	4.00	102	P206395
5.00	127	4.00	102	5.50	140	P206396